

Model:PSW 100



Features

- Mechanical Pressure Switches
- Repeatability: 5 %FS
- Pressure range: 0.3 bar...100 bar
- overload limit: 300 bar

Applications

- Process control
- industrial automation system

Performance specifications

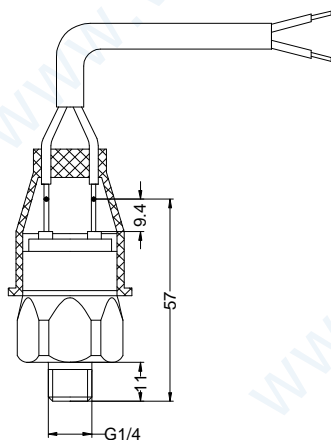
Test condition of data: 25°C

Specifications	Data	Note
pressure ranges	0.3 bar...100 bar	
overload limit	300 bar (Max.)	
Repeatability	5 %FS	
initial state	open;close	
storage temperature range	-45...+130°C	
ambient temperature range	-45...+130°C	
life time	1 x 10 ⁶	
pilot duty	100 VA	
pressure interface	G1/8,1/4NPT,M12 x 1.5;M20 x 1.5	1
electrical interface	two 6.3 x 0.8mm contacts(standard), 150 mm cable	
environment protection	IP 65 (with rubber protection)	
Material of pressure interface	zinc plated steel(standard), stainless steel	

Note:

1. customized according to customer requirements

Dimensions (in mm)



Ordering information

model	range	fixed or adjustable set points	Material of pressure interface	pressure interface	electrical interface	initial state	note
PSW100	(03) 0.3...3 bar (04) 1...4 bar (05) 0.6...6 bar (06) 1...13 bar (07) 5...15 bar (08) 4...28 bar (09) 16...40 bar (10) 6...60 bar (11) 41...70 bar (12) 71...100 bar	customer request	(z) zinc plated steel (s) stainless steel	(C1) G1/8(male) (C2) 1/4NPT(male) (C3) M12x1.5(male) (C4) M20x1.5(male) (Cx) customer request	(W)150 mm cable (N)two 6.3 x 0.8mm contacts (standard)	(o) open (c) close	
PSW100	04	2bar	z	C1	N	o	NA

ordering code

PSW100 -04-2bar-z-C1-N-o-NA

VOLLTEL

For Process Automation

Xi'an Volltel Measurement Technology co., Ltd
No.407, South Second Ring Road, Lianhu District,
Xi'an, China

Tel: +86-029-8133 7841

Fax: +86-029-8133 7841

info@volltel-meas.com

www.volltel-meas.com