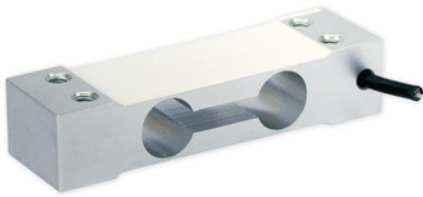


Model SP301

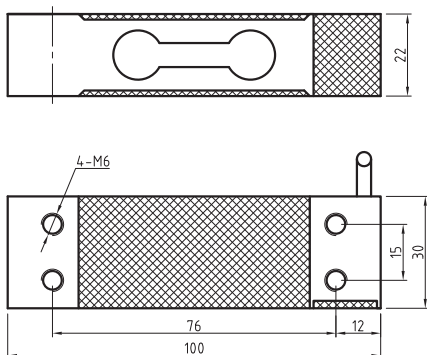


- Capacity: 3 kg...50 kg
- Material: aluminum alloy
- Protection class: IP65
- Application: counting scales, bench scales and other electronic weighing devices.

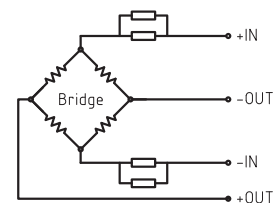
Performance Specifications

Parameter	Value	Units
Capacity	3, 5, 8, 10, 20, 30, 40, 50	kg
Rated Sensitivity	2.0±0.2	mV/V
Accuracy Class	C2	
Combined Error	±0.03	%FS
Temp. Coeff - Zero	±0.01	%FS/°C
Temp. Coeff - Span	±0.003	%FS/°C
Creep(30min.)	±0.03	%FS
Zero Balance	2	%FS
Input Resistance	405±10	Ω
Output Resistance	350±10	Ω
Insulation Resistance	≥2000	MΩ@50Vdc
Operating Temperature Range	-20 to +60	°C
Compensated Temperature Range	-10 to +40	°C
Excitation Voltage	5 to 10	Vdc
Safe Overload	150	%FS
Ultimate Overload	200	%FS
Recommended Platform Size	200 x 200	mm
Environment Protection	IP65	
Cable Specification	Ø3.8mm cable, L=0.2m	

Dimensions (in mm)



Electrical Connection



Ordering Information

Model	Capacity	Sensitivity	Combined Error	Electrical interface	Customized Spec's
SP301	3kg	2mV/V	0.03%FS	Ø3.8mm cable, L=0.2m	