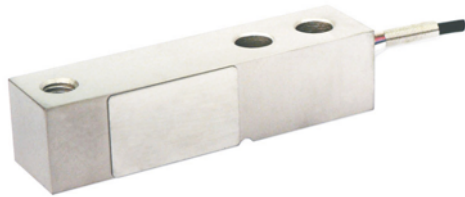


Model SB400

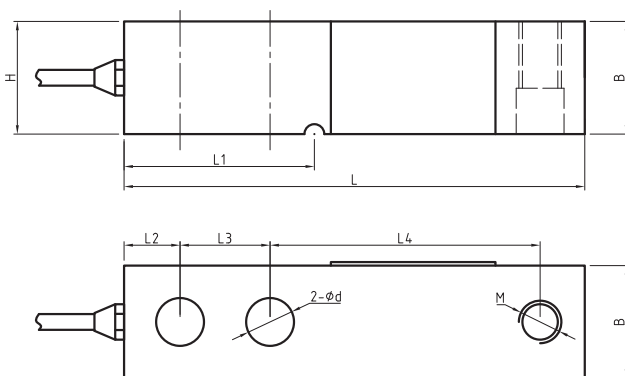


- Capacity: 0.5 t...10 t
- Material: alloy steel
- Protection class: IP66
- Application: platform scales, truck scales and other electronic weighing devices.

Performance Specifications

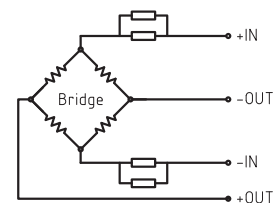
Parameter	Value	Units
Capacity	0.5, 2, 2.5, 5, 7.5, 10	t
Rated Sensitivity	3.0±0.008	mV/V
Accuracy Class	C2 C3	
Combined Error	±0.03 ±0.02	%FS
Temp. Coeff - Zero	±0.029 ±0.019	%FS/10°C
Temp. Coeff - Span	±0.017 ±0.011	%FS/10°C
Creep(30min.)	±0.024 ±0.016	%FS
Zero Balance	1	%FS
Input Resistance	350±5	Ω
Output Resistance	350±3	Ω
Insulation Resistance	≥5000	MΩ@50Vdc
Operating Temperature Range	-20 to +55	°C
Compensated Temperature Range	-10 to +40	°C
Excitation Voltage	9 to 12	Vdc
Safe Overload	120	%FS
Ultimate Overload	150	%FS
Body Material	alloy steel	mm
Environment Protection	IP66	
Cable Specification	Ø5mm cable, L=3m	

Dimensions (in mm)



capacity(t)	L	L1	L2	L3	L4	d	B	M
0.5-2t	130	54.2	15.8	25.4	76.2	13.5	31.8	M12x1.75
2.5-5t	171.5	77.2	19.1	38.1	95.3	20	38.1	M18x1.5
10t	222.3	101.6	25.4	50.8	120.7	26.2	50.8	M24x2

Electrical Connection



Ordering Information

Model	Capacity	Sensitivity	Combined Error	Electrical interface	Customized Spec's
SB400	0.5t	3.0mV/V	0.03%FS	Ø5mm cable, L=3m	