

Model SH200

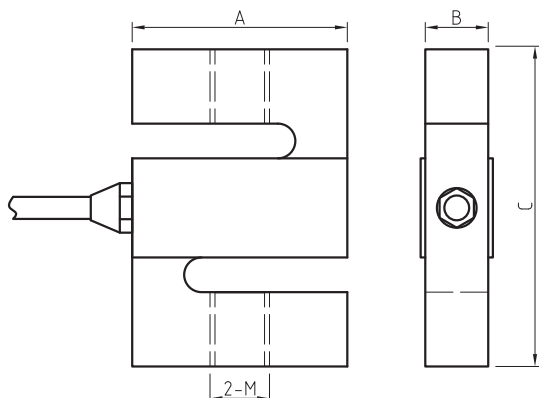


- Capacity: 50 kg...7.5 t
- Material: alloy steel
- Protection class: IP66
- Application: Hanging scales, vibratory feeding equipment and other electronic weighing devices.

Performance Specifications

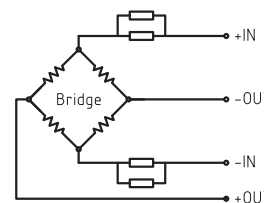
Parameter	Value	Units
Capacity	50, 100, 250, 500, 1000, 2500, 5000, 7500	kg
Rated Sensitivity	3.0±0.008	mV/V
Accuracy Class	C2 C3	
Combined Error	±0.03 ±0.02	%FS
Temp. Coeff - Zero	±0.029 ±0.019	%FS/10°C
Temp. Coeff - Span	±0.017 ±0.011	%FS/10°C
Creep(30min.)	±0.024 ±0.016	%FS
Zero Balance	1.0	%FS
Input Resistance	430±60	Ω
Output Resistance	351±2	Ω
Insulation Resistance	≥5000	MΩ@50Vdc
Operating Temperature Range	-35 to +65	°C
Compensated Temperature Range	-10 to +40	°C
Excitation Voltage	5 to 12	Vdc
Safe Overload	120	%FS
Ultimate Overload	150	%FS
Body Material	alloy steel	mm
Environment Protection	IP66	
Cable Specification	Ø5mm cable, L=6m	

Dimensions (in mm)



capacity(kg)	A	B	C	M
50-100	50.8	12.7	63.5	M8
250-500	50.8	19.05	63.5	M12
1000	50.8	25.4	63.5	M12
2500	76.2	25.4	101.6	M20x1.5
5000	76.2	25.4	101.6	M20x1.5
7500	101.6	31.75	139.7	M24x2

Electrical Connection



Ordering Information

Model	Capacity	Sensitivity	Combined Error	Electrical interface	Customized Spec's
SH200	500kg	3.0mV/V	0.03%FS	Ø5mm cable, L=6m	