

# Model DPM630

## For Melt Pressure & Temperature Measurement



### Product Overview

MPT630 is made from metal foil gauge, manufactured free of mercury, and made from stainless steel material to high quality standard. The output of MPT630 is 3.33mV/V as the output signal for the full bridge. In addition, the output of bridge also can be configured to either 4~20mA or 0~10Vdc standard signal by sensor signal conditioning. Zero & full span can be adjustable, with amplify signal can be connected with PLC. With the advantage of high precision and reliable pressure measuring and good quality, internal 80% calibration and etc.

### Applications

- Process control systems
- Fiber equipment
- Plastic and rubber manufacturing equipment

### Features

- Measuring ranges from 20bar to 1500bar
- Accuracy:  $\pm 0.25\%$ FSO or  $\pm 0.5\%$ FSO
- Calibrated and temperature compensated
- Internal shunt calibration signal of 80%FSO
- Metal foil strain gauge technology
- Temp. sensors: J, K, E type thermocouple, Pt100
- Output 4...20mA, 0...10V, 3.33mV/V and others

### Standard Pressure Ranges

Nominal pressure	gauge
0...20bar	●
0...35bar	●
0...50bar	●
0...70bar	●
0...100bar	●
0...250bar	●
0...350bar	●
0...500bar	●
0...700bar	●
0...1000bar	●
0...1500bar	●

Other pressure ranges available. Please consult the factory.

Performance Specifications

Parameter	Value	Units	Notes
<b>General</b>			
Pressure Range	0-20,...,1500	bar	1bar=14.5psi
Overpressure	1.5xFS(2000bar max.)	bar	
Temperature Sensor	J, K, E type thermocouple, Pt100		
<b>Environmental</b>			
Max. Diaphragm Temperature	350	°C	662°F
Compensated Temperature Range	0 to +80	°C	32°F to 176°F
Storage Temperature Range	0 to +125	°C	32°F to 257°F
<b>Electrical @25°C(77°F)</b>			
Output Signal	4...20mA    0...5Vdc    1...5Vdc	3.33mV/V    2mV/V	
Power Supply(Vs)	12...36Vdc    12...36Vdc    12...36Vdc	10Vdc    10Vdc	
Load Resistance	<(Vs-12)/0.02A (For current output), >10kΩ (For voltage output)		
Insulation Resistance	100MΩ@50Vdc		
<b>Physical Specifications</b>			
Media Compatibility	All media compatible with 15-5PH stainless steel		
Housing	304 stainless steel		
Diaphragm	15-5PH stainless steel		
Seal Ring	/		

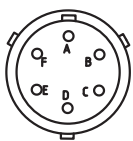
Parameter	Minimum	Typical	Maximum	Units	Notes
<b>Performance</b>					
Accuracy	0.25	0.5	1.0	%FSO	1,2
Temp Coeff - Zero		±0.05	±0.07	%FSO/°C	
Temp Coeff - Span		±0.05	±0.07	%FSO/°C	
Long-Term Stability		±0.2	±0.3	%FSO/year	1

Notes

- All values measured at 25°C(77°F)
  - Including non-linearity, hysteresis and repeatability.
- The listed specifications and dimensions are subject to change without prior notice.

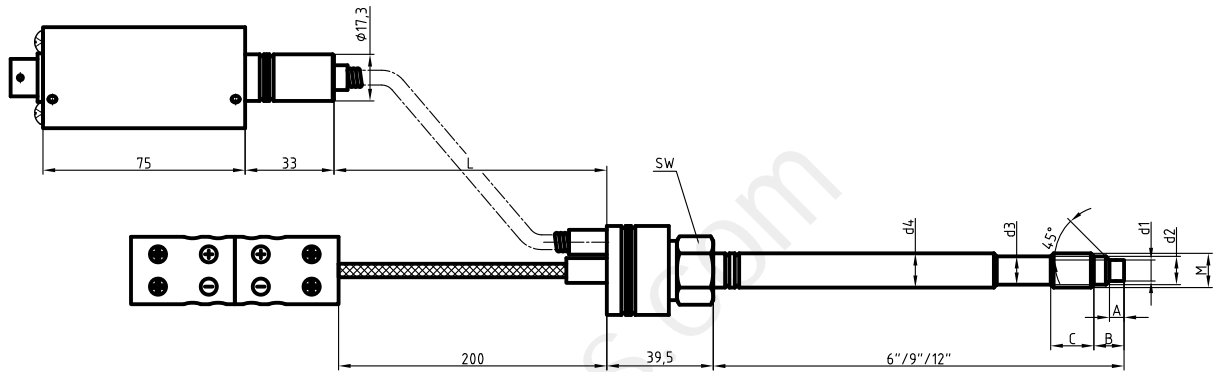
Connection Diagrams

6-pin Connector		
	2-wire(current)	4-wire(voltage)
Signal+	B	A
Signal-	-	B
supply+	A	C
supply-	-	D
calibration	E	E
calibration	F	F



This data sheet contains product specification, properties are not guaranteed. Subject to change without notice.

Dimensions (in mm)



M	d1	d2	d3	d4	A	B	C	SW	6"	9"	12"	L
1/2-20UNF	ø7.8	ø10.5	ø10.5	ø12.7	5.4	11.2	16	16	152	230	305	460
M14x1.5		ø11.8	ø11.8	ø13.5								
M18x1.5	ø9.8	ø15	ø15.5				20	22				760

Ordering Information

Option1: Model	
MPT630	Melt Pressure Transmitter
Option2: Pressure Ranges	
0200	0...20bar 7000 0...700bar
0350	0...35bar 1001 0...1000bar
0700	0...70bar 1501 0...1500bar
1000	0...100bar Cxxx Customized range
2500	0...250bar
3500	0...350bar
5000	0...500bar
Option3: Temperature Sensor	
J	J type thermocouple
K	K type thermocouple
E	E type thermocouple
Pt100	Pt100 thermal resistor
Option4: Output Signal	
42	4...20mA
05	0...5Vdc
10	0...10Vdc
20	2mV/V
33	3.33mV/V
Option5: Accuracy	
02	0.25%FSO
05	0.5%FSO
10	1.0%FSO
Option6: Length of rigid stem	
6	152mm (6")
9	230mm (9")
12	305mm (12")
Lx	Customized
Option7: Length of flexibe extension	
4	460mm
7	760mm
Cx	Customized
Option8: Mechanical Connection	
U2	1/2-20UNF(male) M22 M22x1.5(male)
M14	M14x1.5(male) G3 G3/8(male)
M18	M18x1.5(male) Nx Customized
MPT630	0350 J 42 02 6 4 U2 Examples of Ordering Code: MPT630-0350-J-42-02-6-4-U2

This data sheet contains product specification, properties are not guaranteed. Subject to change without notice.