

Model DPM610

For Melt Pressure & Temperature Measurement



Product Overview

MPT610 is made from metal foil gauge, manufactured free of mercury, and made from stainless steel material to high quality standard. The output of MPT610 is 3.33mV/V as the output signal for the full bridge. In addition, the output of bridge also can be configured to either 4~20mA or 0~10Vdc standard signal by sensor signal conditioning. Zero & full span can be adjustable, with amplify signal can be connected with PLC. With the advantage of high precision and reliable pressure measuring and good quality, internal 80% calibration and etc.

Applications

- Process control systems
- Fiber equipment
- Plastic and rubber manufacturing equipment

Features

- Measuring ranges from 20bar to 1500bar
- Accuracy: $\pm 0.25\%$ FSO or $\pm 0.5\%$ FSO
- Calibrated and temperature compensated
- Internal shunt calibration signal of 80%FSO
- Metal foil strain gauge technology
- Temp. sensors: J, K, E type thermocouple, Pt100
- Output 4...20mA, 0...10V, 3.33mV/V and others

Standard Pressure Ranges

Nominal pressure	gauge
0...20bar	●
0...35bar	●
0...50bar	●
0...70bar	●
0...100bar	●
0...250bar	●
0...350bar	●
0...500bar	●
0...700bar	●
0...1000bar	●
0...1500bar	●

Other pressure ranges available. Please consult the factory.

Performance Specifications

Parameter	Value	Units	Notes
General			
Pressure Range	0-20,...,1500	bar	1bar=14.5psi
Overpressure	1.5xFS(2000bar max.)	bar	
Temperature Sensor	J, K, E type thermocouple, Pt100		
Environmental			
Max. Diaphragm Temperature	350	°C	662°F
Compensated Temperature Range	0 to +80	°C	32°F to 176°F
Storage Temperature Range	0 to +125	°C	32°F to 257°F
Electrical @25°C(77°F)			
Output Signal	4...20mA 0...5Vdc 1...5Vdc	3.33mV/V 2mV/V	
Power Supply(Vs)	12...36Vdc 12...36Vdc 12...36Vdc	10Vdc 10Vdc	
Load Resistance	<(Vs-12)/0.02A (For current output), >10kΩ (For voltage output)		
Insulation Resistance	100MΩ@50Vdc		
Physical Specifications			
Media Compatibility	All media compatible with 15-5PH stainless steel		
Housing	304 stainless steel		
Diaphragm	15-5PH stainless steel		
Seal Ring	/		

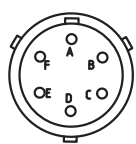
Parameter	Minimum	Typical	Maximum	Units	Notes
Performance					
Accuracy	0.25	0.5	1.0	%FSO	1,2
Temp Coeff - Zero		±0.05	±0.07	%FSO/°C	
Temp Coeff - Span		±0.05	±0.07	%FSO/°C	
Long-Term Stability		±0.2	±0.3	%FSO/year	1

Notes

- All values measured at 25°C(77°F)
 - Including non-linearity, hysteresis and repeatability.
- The listed specifications and dimensions are subject to change without prior notice.

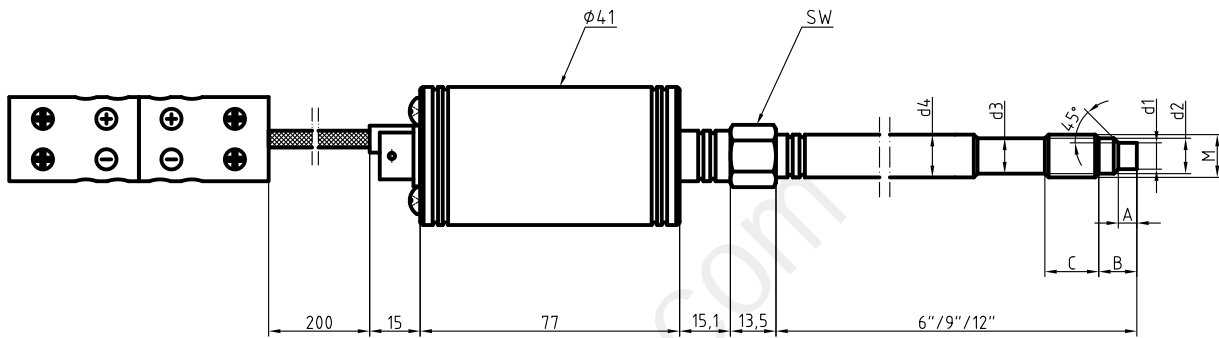
Connection Diagrams

6- pin Connector



	2-wire(current)	4-wire(voltage)
Signal+	B	A
Signal-	-	B
supply+	A	C
supply-	-	D
calibration	E	E
calibration	F	F

Dimensions (in mm)



M	d1	d2	d3	d4	A	B	C	SW	6''	9''	12''
1/2-20UNF	φ7.8	φ10.5	φ10.5	φ12.7	5.4	11.2	16	16	152	230	305
M14×1.5		φ11.8	φ11.8	φ13.5							
M18×1.5	φ9.8	φ15	φ15.5	20			22				

Ordering Information

Option1: Model	
MPT610	Melt Pressure Transmitter
Option2: Pressure Ranges	
0200	0...20bar 7000 0...700bar
0350	0...35bar 1001 0...1000bar
0700	0...70bar 1501 0...1500bar
1000	0...100bar Cxxx Customized range
2500	0...250bar
3500	0...350bar
5000	0...500bar
Option3: Temperature Sensor	
J	J type thermocouple
K	K type thermocouple
E	E type thermocouple
Pt100	Pt100 thermal resistor
Option4: Output Signal	
42	4...20mA
05	0...5Vdc
10	0...10Vdc
20	2mV/V
33	3.33mV/V
Option5: Accuracy	
02	0.25%FSO
05	0.5%FSO
10	1.0%FSO
Option6: Length of rigid stem	
6	152mm(6'')
9	230mm(9'')
12	305mm(12'')
Lx	Customized
Option7: Mechanical Connection	
U2	1/2-20UNF(male) M22 M22x1.5(male)
M14	M14x1.5(male) G3 G3/8(male)
M18	M18x1.5(male) Nx Customized
MPT610	0350 J 42 02 6 U2 Examples of Ordering Code: MPT610-0350-J-42-02-6-U2

This data sheet contains product specification, properties are not guaranteed. Subject to change without notice.